

Machine Specifications	机械规格	单位	DL-5000
Max.Swing over bed	床身上最大回转直径	mm	1300
Swing over cross slide	滑板上最大回转直径	mm	1000
Processing maximum length	加工最大长度	mm	1200
Width of bed	床面宽度	mm	810
Spindle bore	主轴通孔	mm	Φ152
Spindle nose	主轴头		A2-11
Range of spindle speed	主轴转速范围	rpm	0-420 (转速因马力不同而有差异或选择皮带传动, 最高可达1500rpm) 4级/液压
No. of spindle speeds	主轴自动变速		
Spindle power (continual)	主轴功率(连续)	KW	22
Max. torque	最大扭矩	Nm	8000
X-axis travel	X轴行程	mm	650
Z-axis travel	Z轴行程	mm	1200
Dia. Of X-axis ball screw	X轴滚珠丝杠直径	mm	40
Dia. Of Z-axis ball screw	Z轴滚珠丝杠直径	mm	63
X-axis rapid feed	X轴快速进给	mm/min	6000
Z-axis rapid feed	Z轴快速进给	mm/min	6000
X-axis cutting feed rate	X轴切削速率	mm/min	5000
Z-axis cutting feed rate	Z轴切削速率	mm/min	5000
Turret type	刀塔类型		液压4工位刀塔 (VDI)
Tool shank/Numbers	刀柄		40×40
Tool holder bore diameter	镗刀直径	mm	Φ50
Positioning accuracy	定位精度	mm	X≤0.012 Z≤0.015
Repeatability accuracy	重复定位精度	mm	X≤0.006 Z≤0.008
Power requirement	电力需求	v	220V/50HZ/3Ph
Miscellaneous	机床净重	kg	10000

We reserve the right to modify and improve our products without notice. • 本公司保有机械设计规格变更权力, 恕不另行通知。

### Milltech Incorporated World Headquarters

ADD: 519 Interstate Hwy30 Rockwall, TX 75087 USA

TEL: 972-767-4061

FAX: 972-739-9713

### 亚太地区

#### 美国密超力(亚太)有限公司

地 址: 香港九龙旺角花园街2-16号(好景商业中心1007MSC2683)

电 话: +00852-30150836

传 真: +00852-30109226

E-mail: sales@kedacam.com

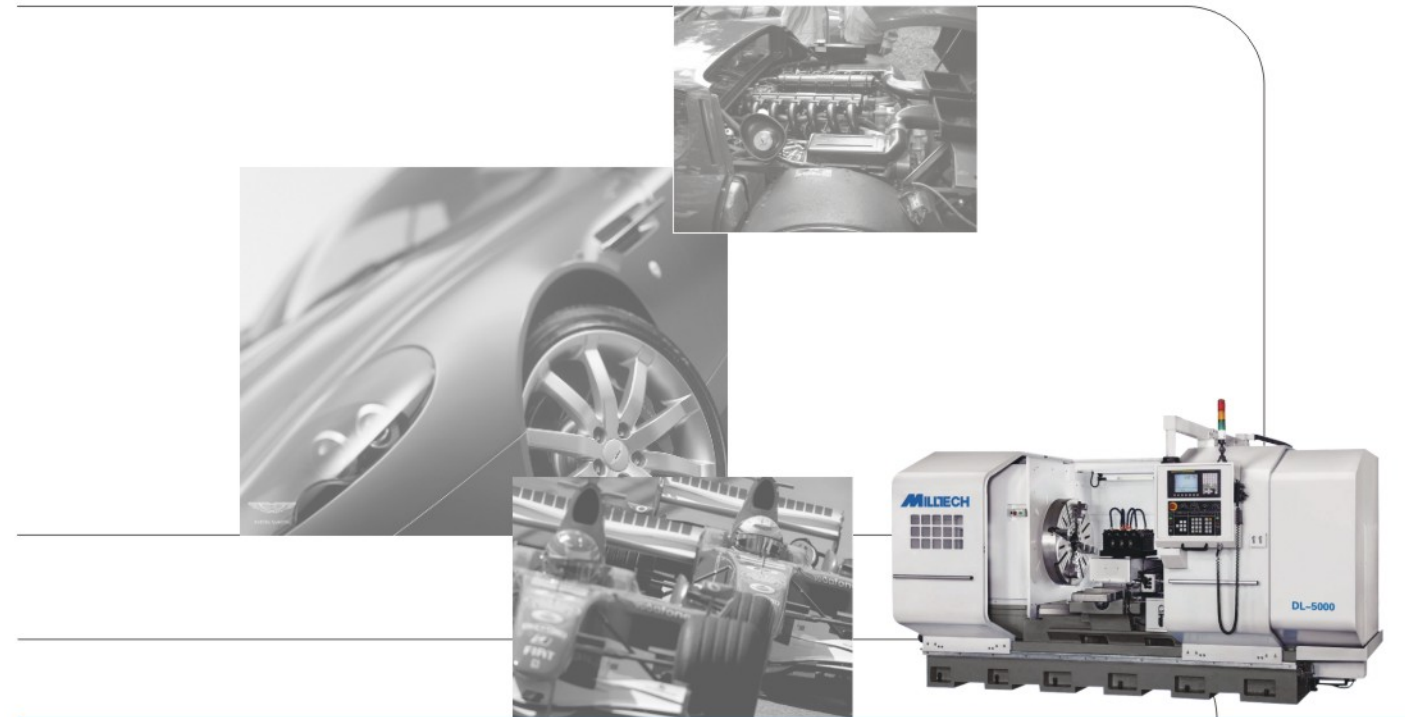
### 进口代理商

#### 陕西科达泰克商贸有限公司

地 址: 西安市高新区高新路33号新汇大厦20A

电 话: +8629-88146235 88148531

传 真: +8629-88316126

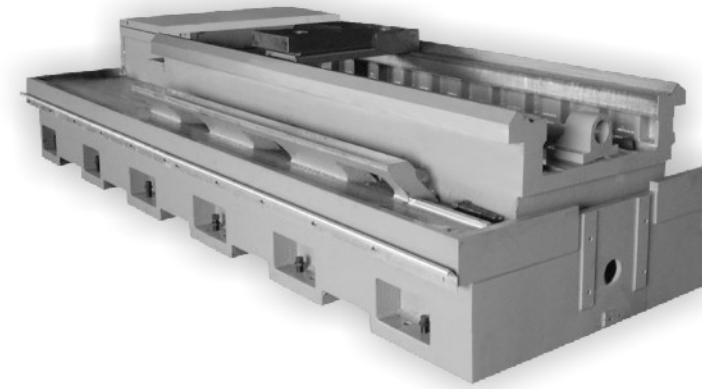


—— 密超力在中国

# MILLTECH

## DL 系列低速大功率盘环卧式车床

一体式高级米汉纳铸铁床身，吸振性好，精度保持持久；中置精密高刚性丝杠，避免托板左右移动，受力均匀，精度好；贴塑硬轨，两导轨宽度810mm，大大增强了机床刚性，避免机床切削扭曲变形；主轴采用三点式重负荷轴承支撑，并搭配经精密研磨四档变速齿轮箱，适合重切削，最大输出扭矩达8000Nm；分体式独立冷却装置，避免机床切削过程中热变形，保证加工精度。适合：航空发动机蜗轮盘、燃气轮机蜗轮盘、鼓风机转子盘、各种法兰、铝合金轮圈、轮胎模的加工。



- One-piece casting base for processing capacity to be more stable.
  - 厚实的连体式床脚设计，使加工能力更稳定

### • MIDDLE-SET Z-AXIS BALLSCREW

- Considering the processing characteristics of the DL series lathe, the design of Z-axis ballscrew set in the middle of bed is adopted for DL series.
- It has significant effect for saddle is moving smoothly and to raise the processing accuracy. It also promises a long life of ballscrew.

#### 中置丝杠

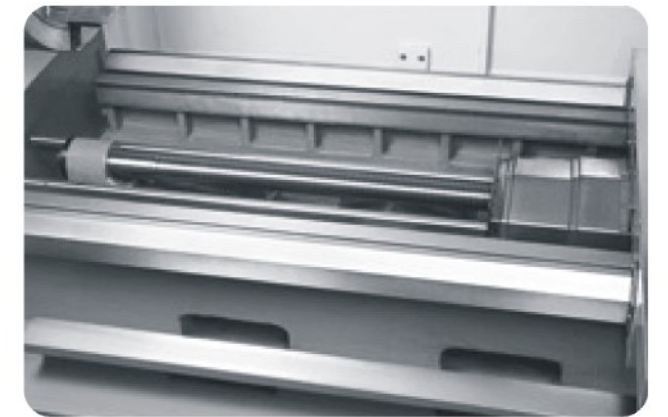
- 针对DL系列的加工特性，Z轴滚珠导杆采用置中的设计，对于床鞍滑动的顺畅度与精度提升都有显著的效果，同时也提高了滚珠丝杠的寿命。

### Features

- This is a heavy duty precision CNC lathe that has the function of output full horse power during low&high speed, available for big, special parts and mold work pieces.
- The structure of bed is adopted high toughness meehanite castiron; stabilize properly parallel precision, bed ways are induction hardened and ground.
- The slide way and ball screw can be lubricated automatically by central lubrication system. Oil flowand lubrication frequency can be set as desired. An alarm occurs in case of lack of oil.
- The coolant system delivers high pressure coolant to flush chips and extend tool service life.
- Mechanical and electrical are designed all in one.

### 特点

- 本机为强力精密型数控车床，高低速时亦有全马力输出功能，对航空发动机、盘环类零件最适合。
- 精心设计的高刚性床身结构，采用米汉纳铸件，使水平精度稳定。
- 给油装置采用中央自动给油，润滑各滑动面及滚珠丝杠，并可依据需要设定润滑油流量大小及周期，油箱内缺油时，自动发出警示。
- 冷却系统提供高压冷却液，具强力冲屑功能，确保刀具使用寿命。
- 排屑器采用后置排屑设计，中置丝杠的底部，床身部有许多排屑孔铁屑可通过这些排屑孔排出，排到后置的排屑器中。
- 机电一体的设计，使本机的操作和维护简易。



### • CONTROLLER

- The CNC lathe is equipped with Japan FANUC controller as standard.

#### 控制器

- 本机标准配备为日本FANUC控制器

### • SPINDLE 4-STEPS SPEED AUTO CHANGE

- The spindle is supported by 3-point precision heavy duty bearing and mounted with hydraulic cylinder used for automatic change speed and adopted 4 stdps gears control spindle speed, which enable to output full horse power under each speed, available for high accuracy and heavy duty cutting.

#### 主轴四段自动变速

- 主轴箱设计有三点式重负荷轴承支撑，并装配自动变速用的油压缸，搭配四段齿轮式速度变换，使各转速能全马力输出，发挥重切削功能。

